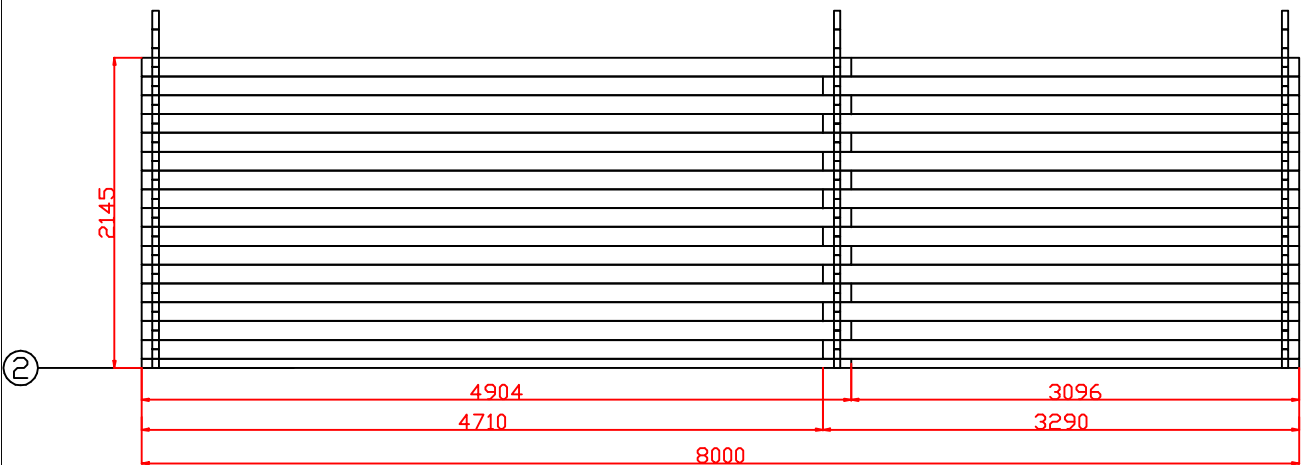
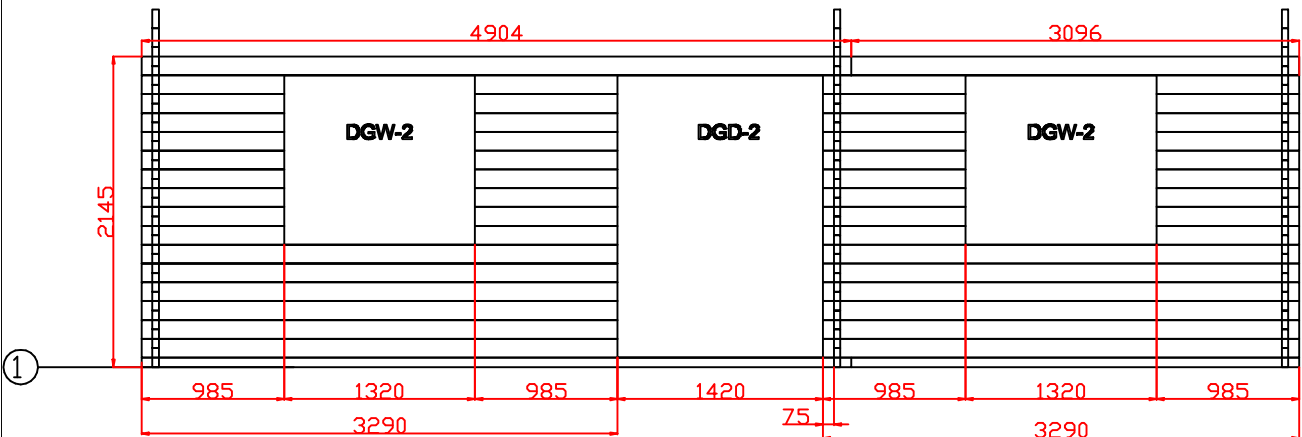
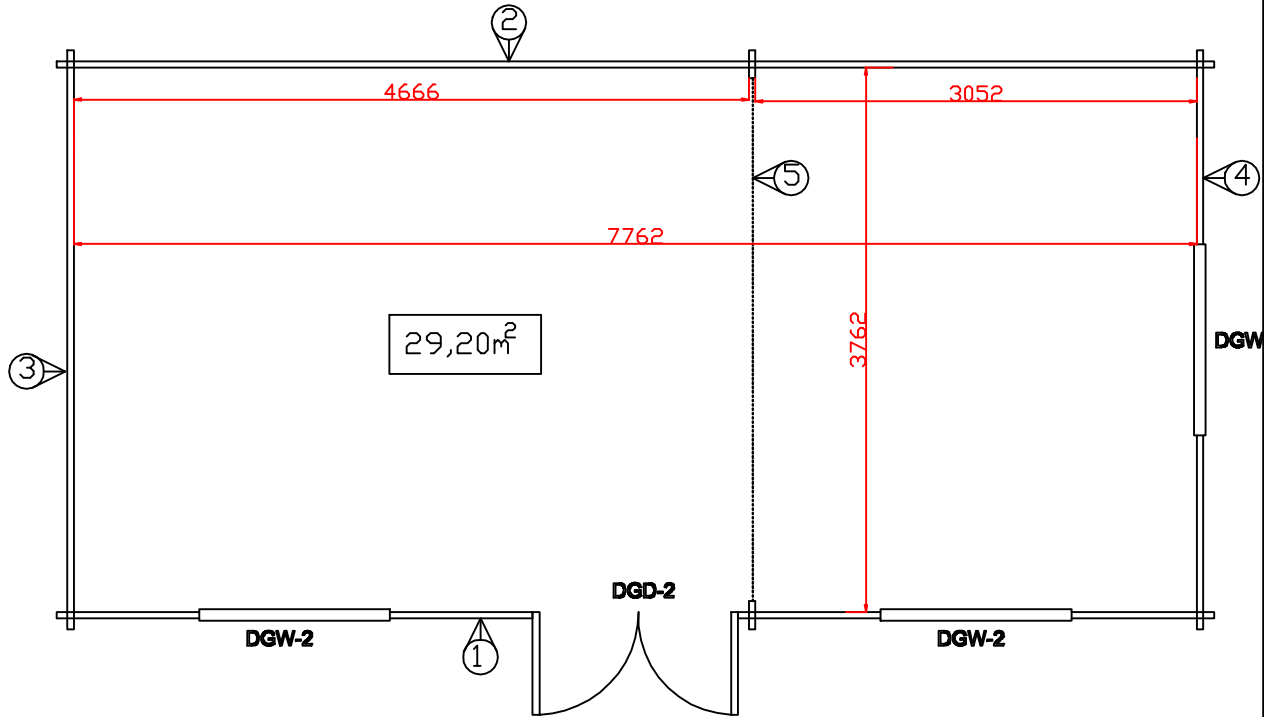


ALAN 8040-45 DG

SIZE (m): 8,0 x 4,0
HEIGHT SIDE WALL: 2145 mm
RIDGE HEIGHT: 2470 mm
WALL LOG: 45 mm



ALAN 8040-45 DG

SIZE (m): 8,0 x 4,0
HEIGHT SIDE WALL: 2145 mm
RIDGE HEIGHT: 2470 mm
WALL LOG: 45 mm

